



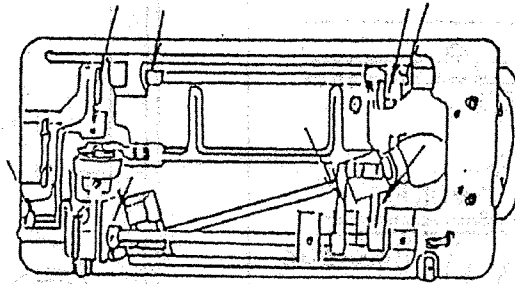
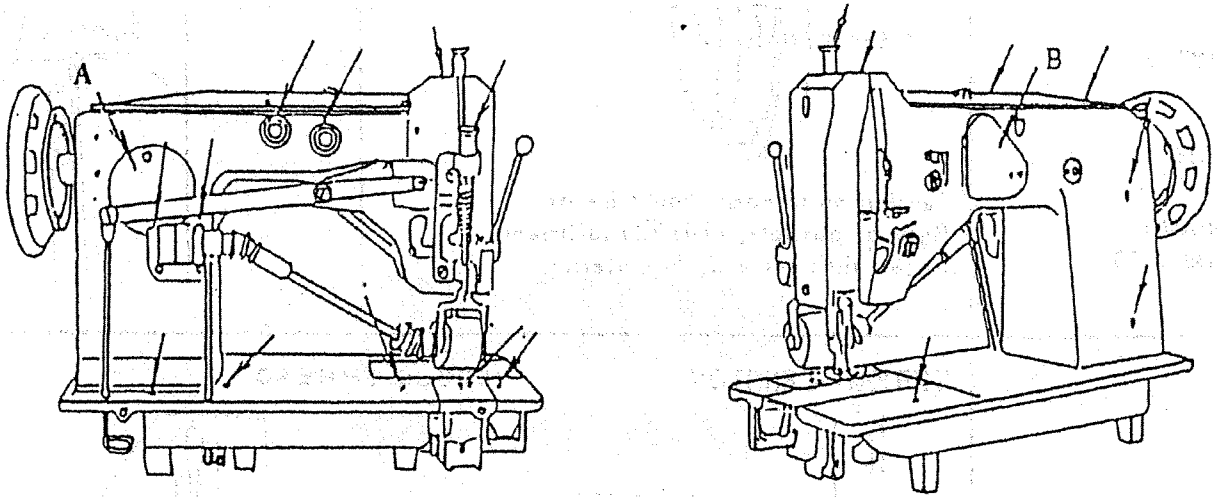
CONSOLIDATED SEWING MACHINE CORPORATION  
131 WEST 25<sup>TH</sup> STREET, NEW YORK, NY 10001

MODEL  
SKZ-6, SKZ-6R

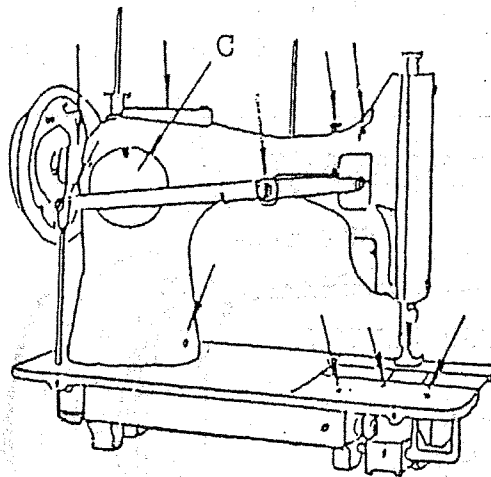
INSTRUCTION MANUAL

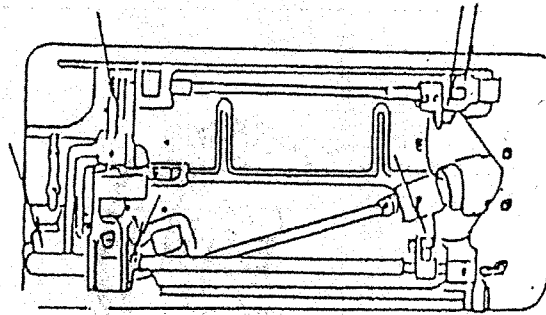
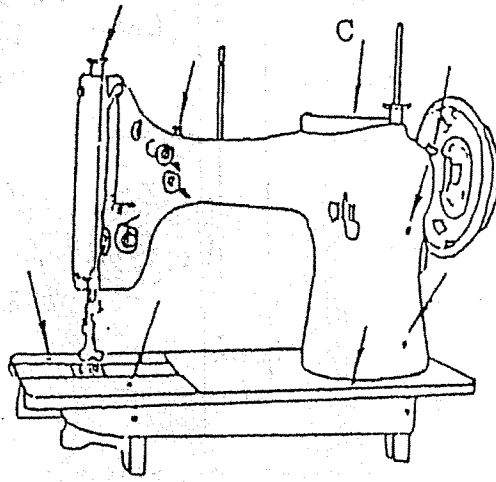
# LUBRICATION

With all new machines and those that have been idle for a great length of time, you must make sure that all the necessary points indicated by the arrows in the illustrations below are fully lubricated. Use white spindle oil before any kind of operation or test run. Lubricate the machine at least twice daily or more if machine is subjected to heavy use.



SKZ type



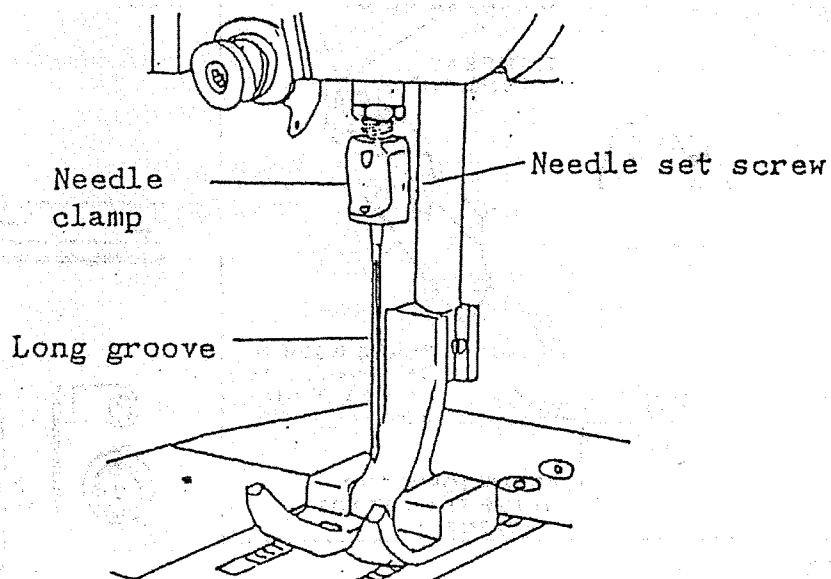


SKM type (double needle)

### INSTALLING THE NEEDLE

Move needle bar to its highest point. Loosen needle set screw.

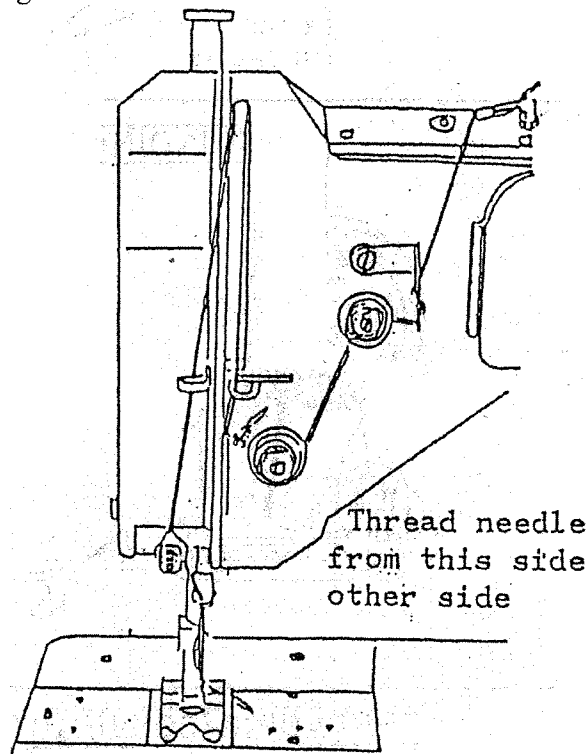
Insert needle up as far as possible and tighten screw. Needle groove should be facing the operator.



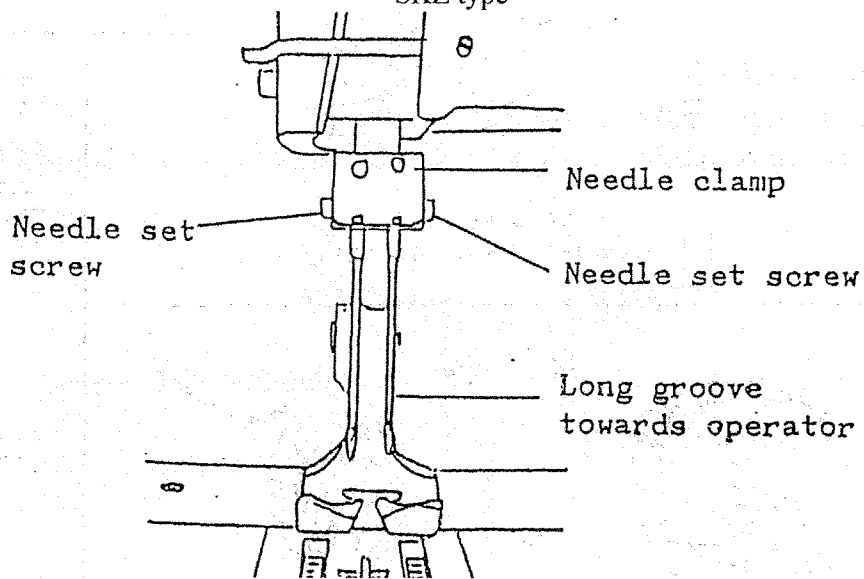
Model SKZ-6

# THREADING THE NEEDLE

The thread should go from left to right as in the illustration below.

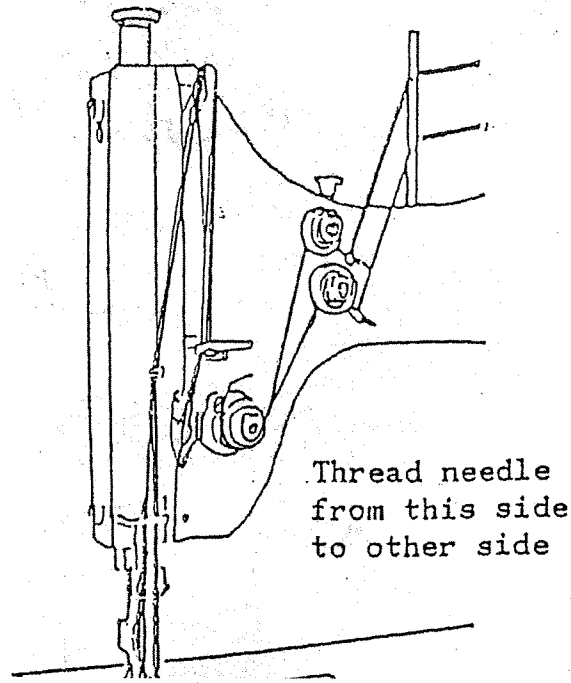


SKZ type

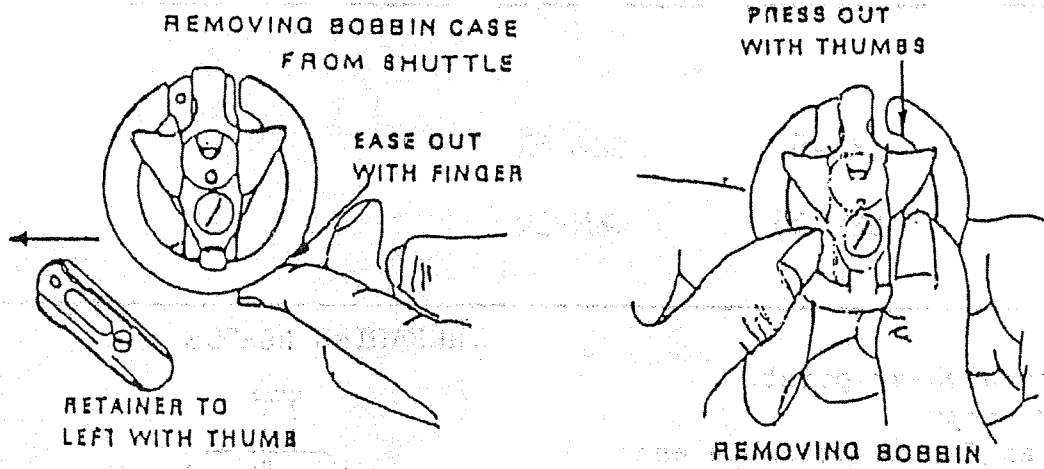


SKM type (double needle)

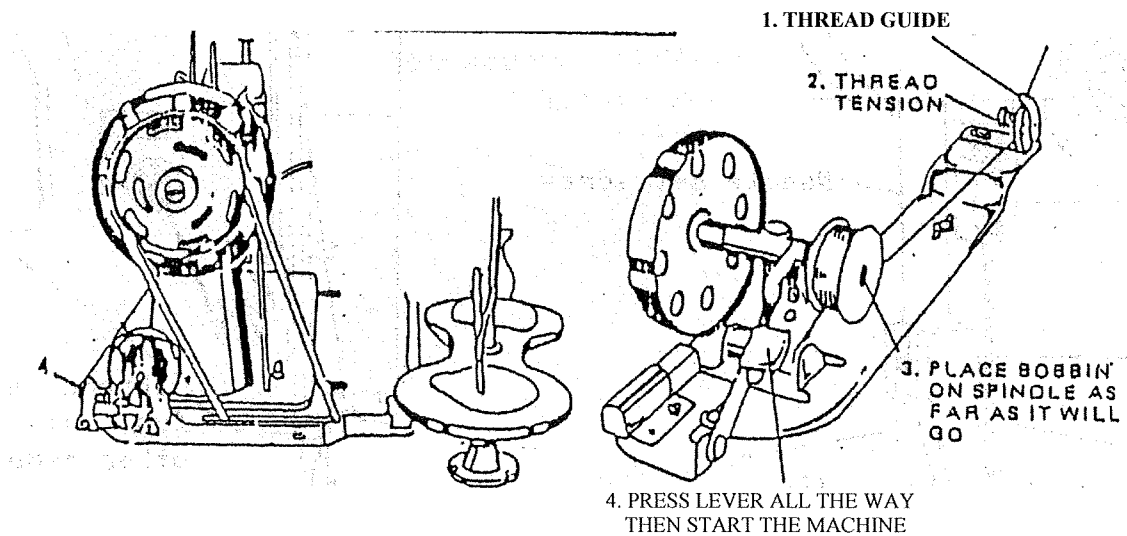
Thread the needle from right to left as in the illustration below.



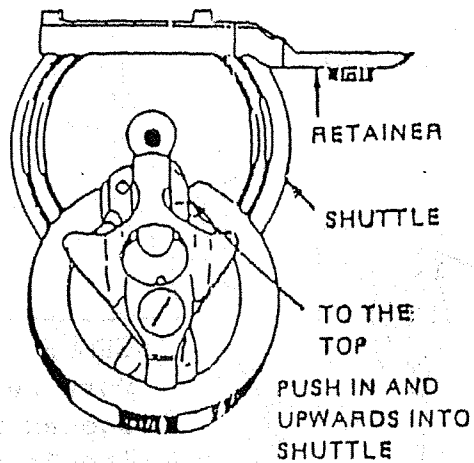
## REMOVING THE BOBBIN



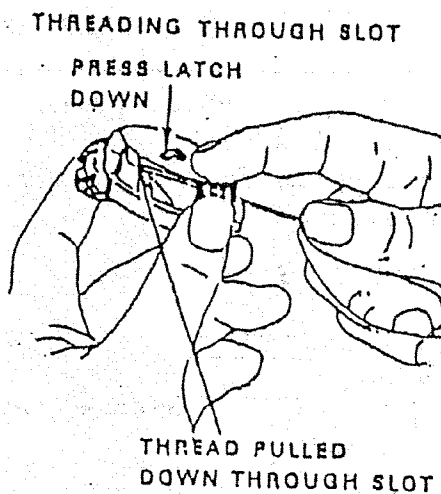
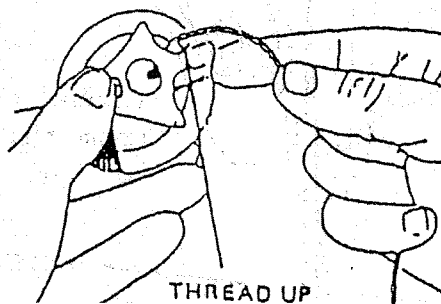
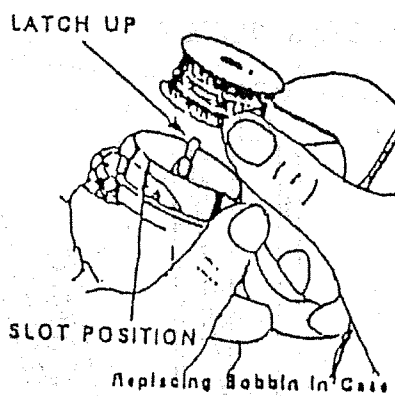
## WINDING THE BOBBIN

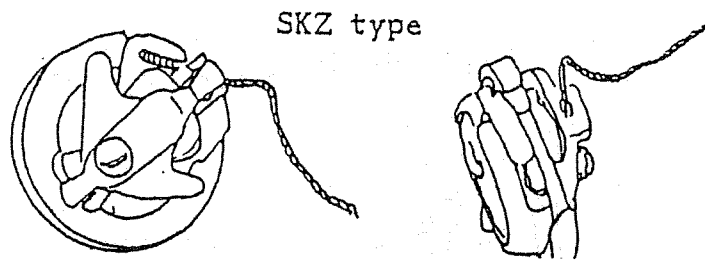


# REPLACING THE BOBBIN

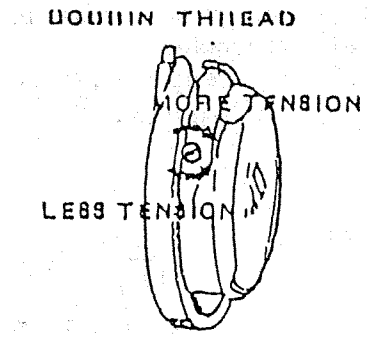


## THREADING THE BOBBIN CASE

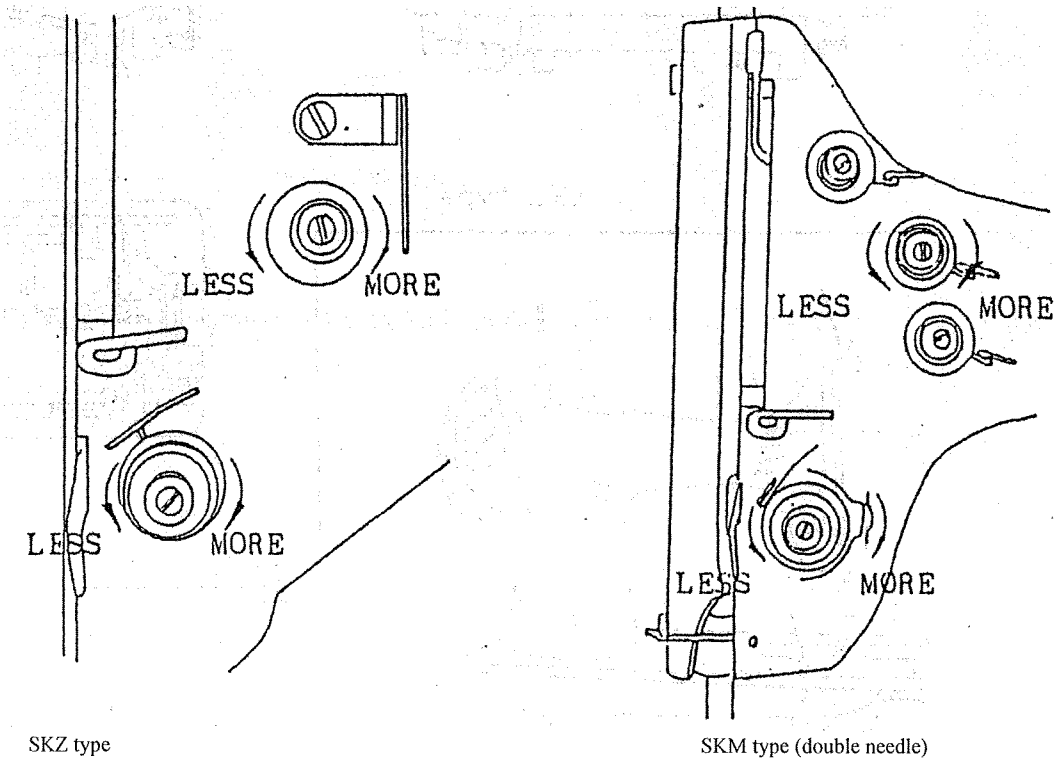




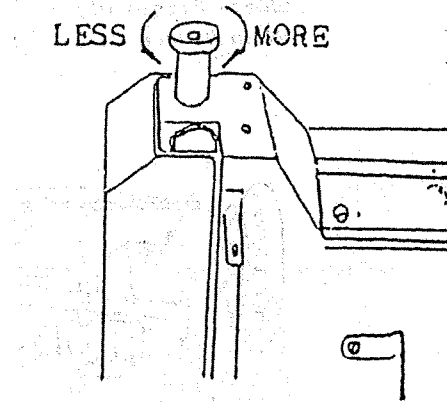
## ADJUSTING THE THREAD TENSIONS



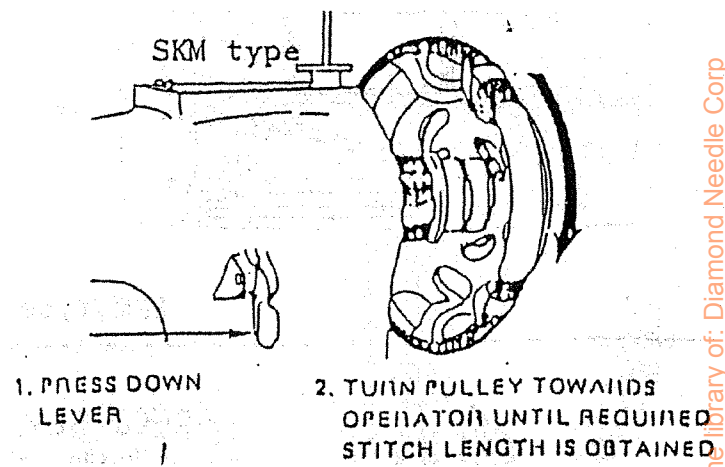
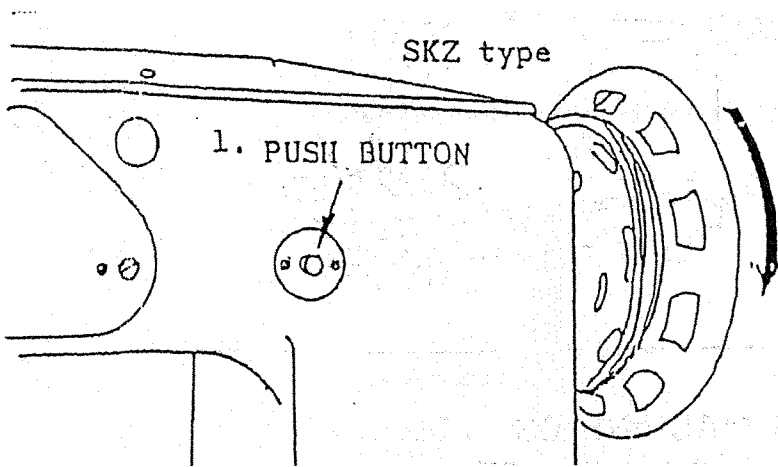
The tension should be as light as possible yet strong enough to set the stitch correctly.



## ADJUSTING THE PRESSURE ON THE PRESSER FOOT



## CHANGING THE STITCH LENGTH



Turn the hand wheel towards you to set the desired length while pushing the button (or lever) while turning the wheel.



**Consolidated Sewing Machine Corp.**  
**Website: [www.consew.com](http://www.consew.com)**

**MAIN office**

131 W. 25th Street  
New York, NY 10001  
Tel: 212-741-7788  
Fax: 212-741-7787  
e-mail: [consew@att.net](mailto:consew@att.net)

**Miami, FL**

4013 N.W. 79th Avenue  
Miami, FL 33166  
Tel: 305-471-0200  
Fax: 305-471-0243  
e-mail: [miamisales@consew.com](mailto:miamisales@consew.com)

**Los Angeles, CA**

2320 South Hill Street  
Los Angeles, CA 90007  
Tel: 213-745-8844  
Fax: 213-745-8855  
e-mail: [lasales@consew.com](mailto:lasales@consew.com)

